

## GSPHL-1820 Heavy Duty Shelf Standard

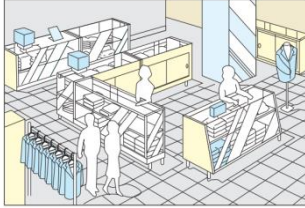
### Features

- Heavy duty shelf standard with 1.2 mm thickness
- Easy to adjust the shelf level

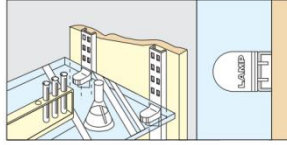
### Sold Separately

- Shelf support **GSPHL-25** (below)
- Shelf support **GSPHL-30** (below)
- End cap **GSPHL-23E** (below)

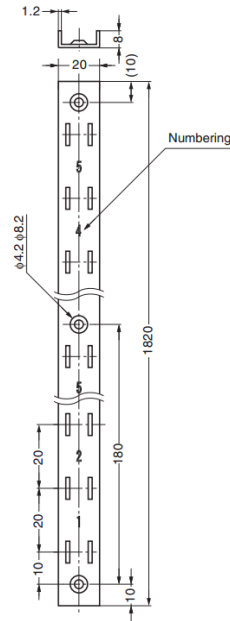
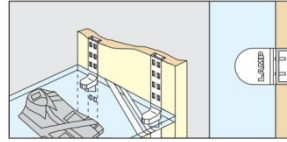
### Installation



### Surface Mount



### Mortise Mount



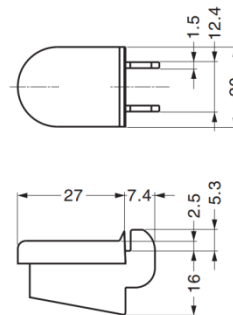
Part No.	Material	Finish	Holes
GSPHL-1820	Stainless Steel 304	Satin	11

## GSPHL-30 Shelf Support

### Features

- For GSPHL (above)
- Rubber pad prevents glass shelf from sliding
- Has resistance to vibration

Part No.	Material	Finish	Load Capacity / 4 pcs
GSPHL-30	Stainless Steel 304	Satin	1,470 N / 150 kg

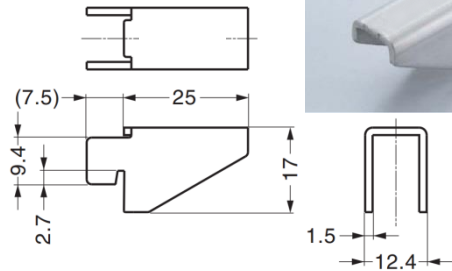


## GSPHL-25 Shelf Support

### Features

- For GSPHL (above)

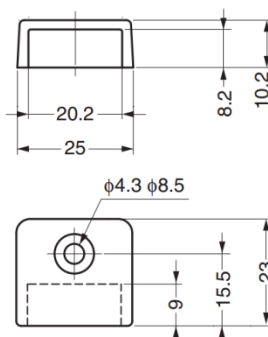
Part No.	Material	Finish	Load Capacity / 4 pcs
GSPHL-25	Stainless Steel 304	Satin	1,470 N / 150 kg



## GSPHL-23E End Cap

### Features

- For GSPHL (above)



Part No.	Material	Colour
GSPHL-23E-WT	Polypropylene (PP)	White
GSPHL-23E-BL		Black



## GSPHL-FB200 Shelf Holder

For GSPHL-1820 series

### Features

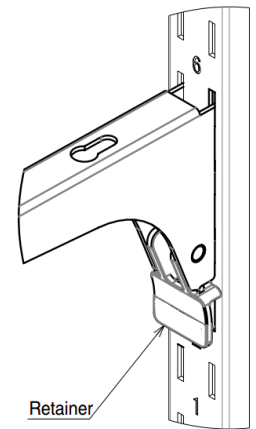
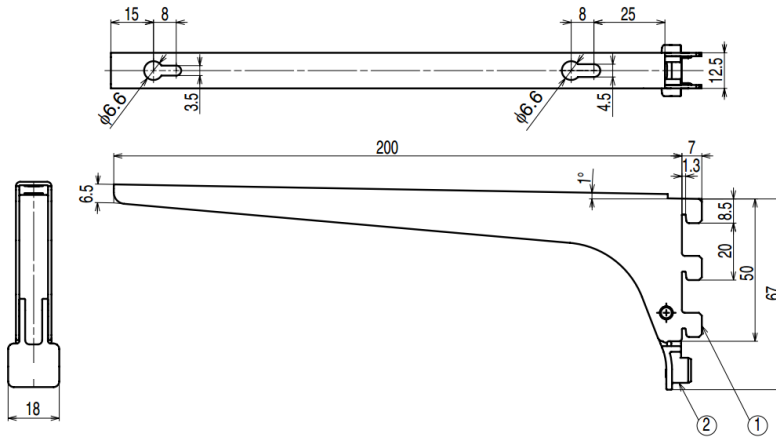
- For shelf standard **SPHL-1820**
- 2 brackets required for 1 shelf
- With retainer to prevent coming off from shelf standard

### Notes

- Max. shelf board width: 900 mm
- Load capacity varies depending on shelf board depth (see table)
- Load capacity includes shelf board weight
- When fixing shelf standard on wall, be sure to install it in the position with pillar or other solid substrates

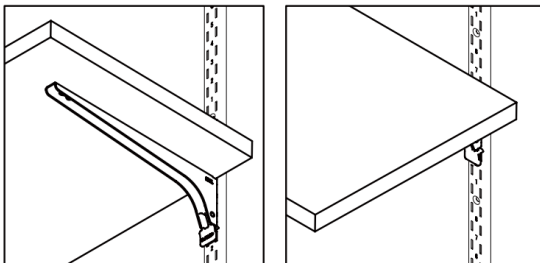
### Parts Included

- Pan head tapping screw 3×12 (SUS)

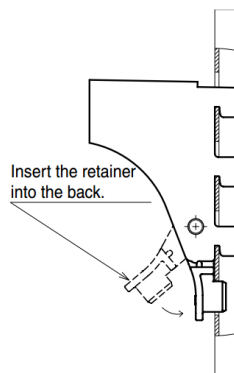


No.	Part Name	Material	Finish/Colour
①	Body	Stainless Steel (SUS430)	Satin
②	Retainer	PP	White

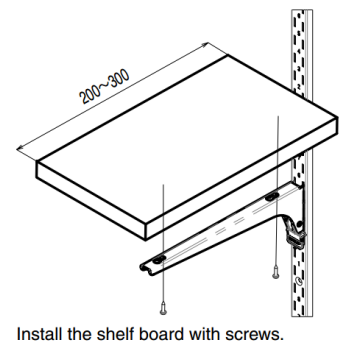
### Application Example



### ● Shelf Standard Installation



### ● Shelf Board Installation



Part No.	Load Capacity (per pair)			
	Shelf Board Depth 200 ~ 250 mm	Shelf Board Depth 250 ~ 300 mm		
GSPHL-FB200	196 N	20 kg	137 N	14 kg